

CESTO 3/8" threaded rod with adjusting disk, for mounting camera on tube end. (60 g)

CESTU Camera adapter with 1/4" and 3/8" threads for mounting camera on FOBA COMBITUBE. (190 g)

COGUO Rubber end for FOBA COMBITUBE. Prevents slipping. (30 g)

COTIO Accessory tray, threaded for FOBA COMBITUBE. Handy in the studio. Diameter 48 cm. (1450 g)

COFLU Flexible mounting arm, 40 cm long with 3/8" thread, for positioning small objects, paper and cardboard. (340 g)

COFLO Flexible mounting arm, 20 cm long with 3/8" thread, for positioning small objects, paper and cardboard. (180 g)

CEBRO Small baseplate, threaded, for table mounting short FOBA COMBITUBE (COARO, COKRO) and flexible mounting arms (COFLO, COFLU). (1070 g)

CEBLI Lamp adapter for CEONO/SAONO Standard (100 g) 18 mm – 5/8"

CEBLA Lamp adapter for CEONO/SAONO BRONCOLOR

COLRU FOBA COMBITUBE caster for mobile studios. Maximum load 50 kg. (340 g)

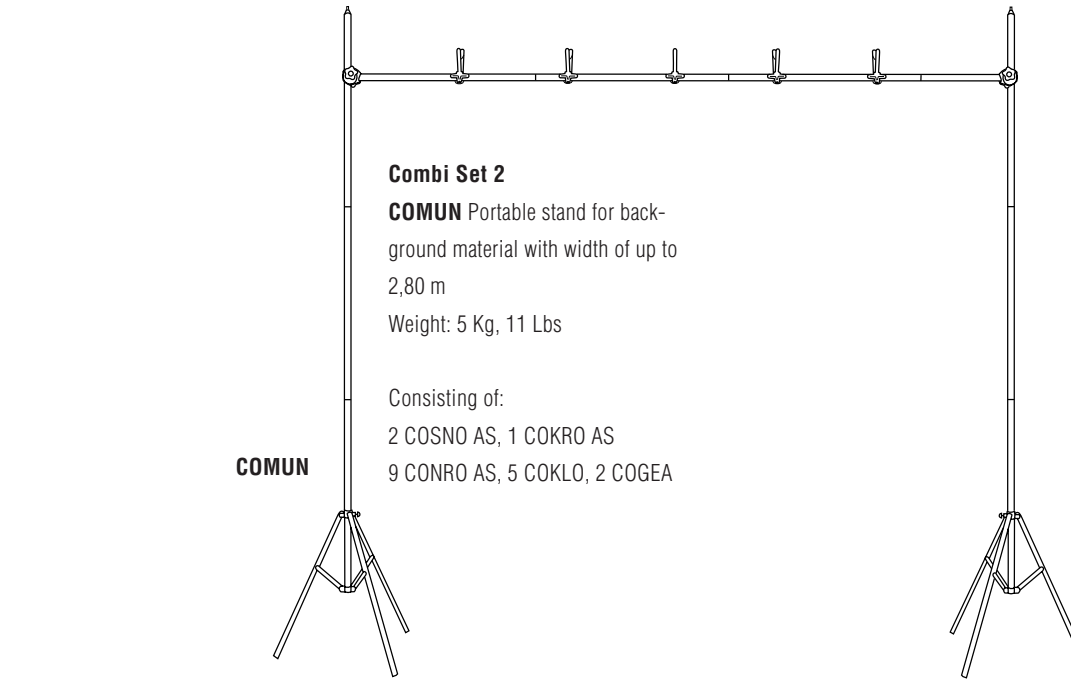
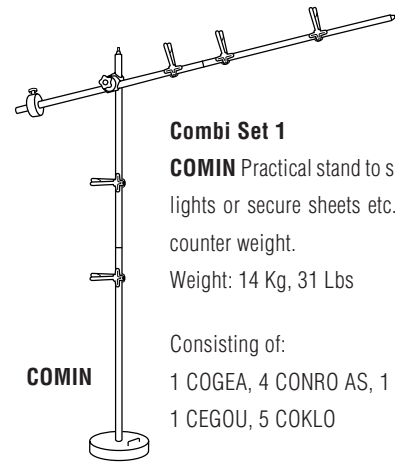
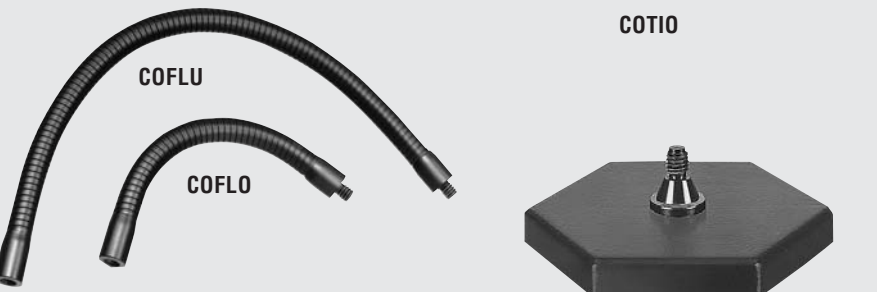
RODEE Lamphead adapter, threaded for FOBA COMBITUBE.

RODUA Lamphead adapter, threaded for FOBA COMBITUBE. (100g)

COSAO FOBA COMBITUBE carrying bag. (800 g)

CAMUN The new Table-top-arm is combined from elements of the FOBA COMBITUBE® System. Supplementary to the FOBA Shooting tables this new arm will just simplify your shoots. This Table-top-arm can be extended with the modular COMBITUBE system from FOBA. (1200 g)

- The new Table-top-arm existing of:
- 2 COKRO-AS FOBA COMBITUBE 40cm
 - 1 COGEA adjustable universal clamp
 - 1 COFLO flexibal mounting arm 20cm
 - 1 COKLE FOBA COMBITUBE clamp 3/8"
 - 1 COKLO FOBA COMBITUBE clamp



Combi Set 1
COMIN Practical stand to suspend lights or secure sheets etc. with a counter weight.
 Weight: 14 Kg, 31 Lbs

Consisting of:
 1 COGEA, 4 CONRO AS, 1 CESRA
 1 CEGOU, 5 COKLO

Combi Set 2
COMUN Portable stand for background material with width of up to 2,80 m
 Weight: 5 Kg, 11 Lbs

Consisting of:
 2 COSNO AS, 1 COKRO AS
 9 CONRO AS, 5 COKLO, 2 COGEA

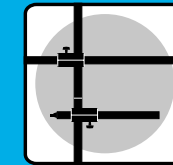
FOBA®
 STUDIO-TECHNOLOGY

FOBA AG
 Studio-Technology
 Friedgrabenstrasse 21
 CH-8907 Wettwil
 Phone 01 700 34 77
 Fax 01 700 32 50
 info@foba.ch
 www.foba.ch

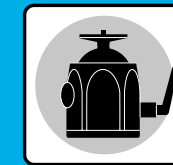
hellerwerbung.ch

We reserve the right to make technical changes without notice. 4/03

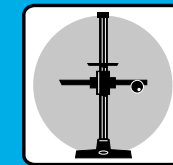
The comprehensive FOBA range:



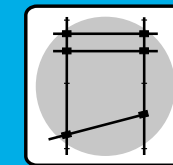
FOBA COMBIRÖHR® System
 Système de tubes FOBA
 FOBA COMBITUBE® System



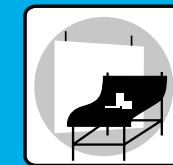
FOBA Stativköpfe
 FOBA têtes de trépieds
 FOBA tripod heads



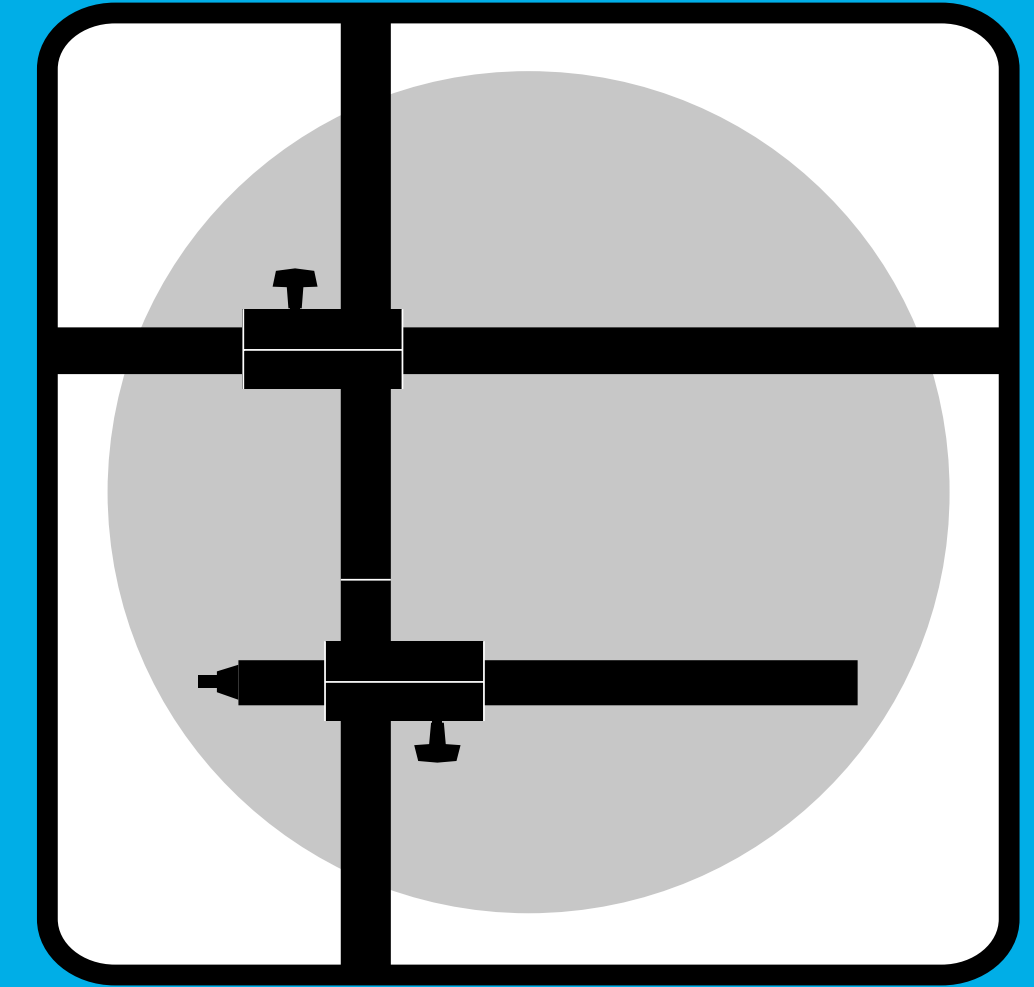
Stative
 Studiostands, Tripods
 Pied à colonne, Trépied



Deckenschielen-Systeme
 Systèmes de rails
 Roof track systems



Aufnahme-tische
 Background tables
 Tables de pris de vue



The FOBA COMBITUBE® System. Simply practical.

FOBA®
 STUDIO-TECHNOLOGY

- CESRU** Additional stabilizing weight, 8.7 kg/26 cm dia. for CEBRA baseplate. (8700 g)
- CESRA** Large baseplate with FOBA COMBITUBE adapter. Diameter. 26 cm Protective felt underlay. Handle included. (10 kg)
- CEBRA** Large baseplate, threaded for FOBA COMBITUBE. Weight 5.6 kg, dia. 30 cm for high stability. Protective felt underlay. (5600 g)
- CEPRO** Insert adapter with adjustable and removable hook, fits into CEHUA, CEHUO and CEONA exchangeable sleeves. (175 g)
- CARRI** Wall and ceiling mounting flange for FOBA COMBITUBE, threaded (100 g)
- CEGEO** Adjustable counterbalance weight assembly (2.7 kg) for FOBA COMBITUBE structures. Up to three additional CEGEO counterbalance weights can be mounted. (2700 g)
- CEGOE** Additional weight (1.9 kg) for CEGEO assembly. (1900 g)
- CEGOU** Sliding counterbalance weight for FOBA COMBITUBE (1900 g)
- CEKLU** Swivelling clamp for joining FOBA COMBITUBE at any angle (370 g)
- COSNO AS** Tripod for FOBA COMBITUBE, black anodized aluminum. Height 65 cm. (710 g)
- COSTO** Tripod for FOBA COMBITUBE, solid steel, black finish. Height 90 cm. (3100 g)
- CEONO** Sliding clamp bracket for FOBA COMBITUBE, infinitely adjustable at the touch of a button, with exchangeable sleeve at one end for CEBLO, CEPRO, COLBE and CORPO insert adapters. (630 g)
- CESRO** Baseframe with 3 brakeable casters for FOBA COMBITUBE (25 mm dia.) and FOBA spotlight stand (30 mm dia. tubing). (14,5 kg)



It is amazing how many things you can do with just a few pieces of the FOBA COMBITUBE® System.

The heart of the system is the FOBA COMBITUBE. It can be extended at both ends by screw cone connection (CONRO AS).

Unmatched versatility: The FOBA articulated joint holds COMBITUBE together at any angle (COGEA).

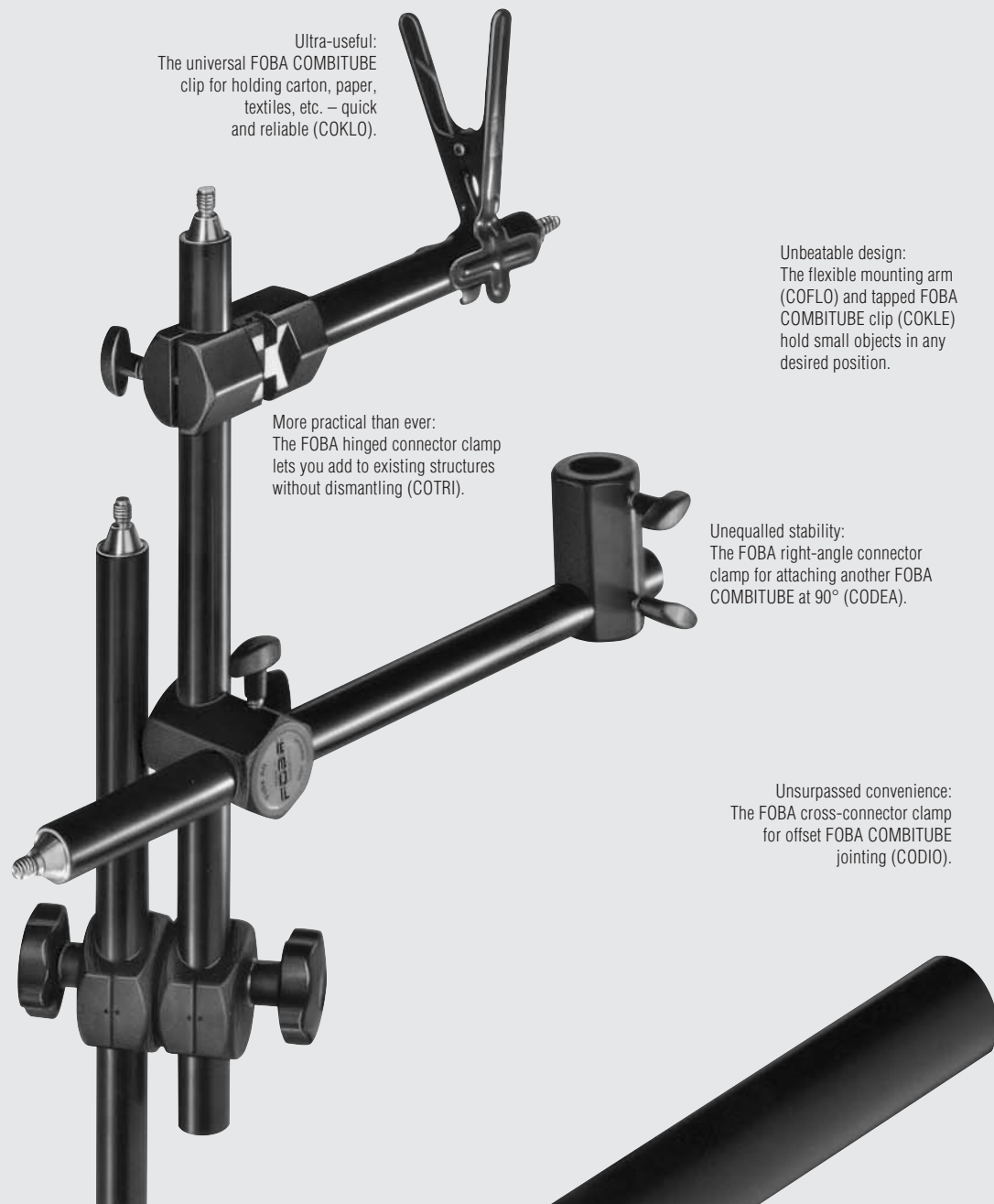
Ultra-useful: The universal FOBA COMBITUBE clip for holding carton, paper, textiles, etc. – quick and reliable (COKLO).

Unbeatable design: The flexible mounting arm (COFLO) and tapped FOBA COMBITUBE clip (COKLE) hold small objects in any desired position.

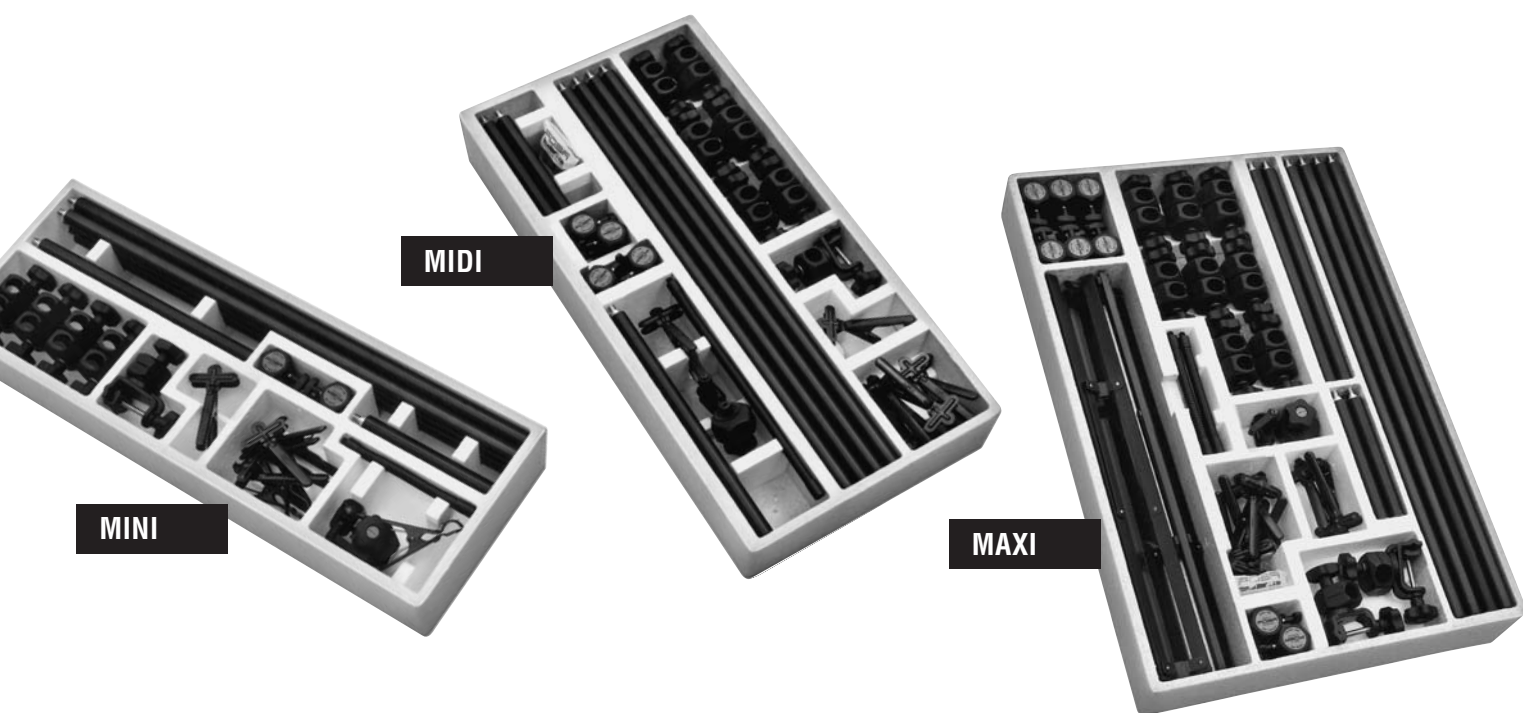
More practical than ever: The FOBA hinged connector clamp lets you add to existing structures without dismantling (COTRI).

Unequaled stability: The FOBA right-angle connector clamp for attaching another FOBA COMBITUBE at 90° (CODEA).

Unsurpassed convenience: The FOBA cross-connector clamp for offset FOBA COMBITUBE jointing (CODIO).



Three convenient sets make it easy to get started with components selected by pros for the pro.



FOBA COMBITUBE® System Kit MINI (CAMIN)

The smallest of the FOBA COMBITUBE® System Kit weighs only 10 kg or 22 lb, and it is intended to satisfy the needs of regular product photography and to provide very handy accessories for FOBA photography stages. It includes basic system components that are very useful for suspending small objects, or for supporting backdrops or fill-in reflectors for small product photography. It includes the following pieces:

6	CONRO AS	FOBA COMBITUBE 80 cm in aluminum, black
4	COKRO AS	FOBA COMBITUBE 40 cm in aluminum, black
2	COARO AS	FOBA COMBITUBE 20 cm in aluminum, black
4	COGEA	Adjustable universal clamp
2	CODEA	Right-angle connector clamp
1	COGAE	Universal table clamp
1	COFLO	Flexible mounting arm, 20 cm
1	COKLE	FOBA COMBITUBE clip, tapped 3/8"
1	COKLI	Universal joint with clamp
1	COKLO 5	Set of 5 FOBA COMBITUBE clamps

FOBA COMBITUBE® System Kit MIDI (CAMID)

Perfect for daily use in the photography of objects. The components in the FOBA COMBITUBE® System Kit MIDI are just right for simple studio set-ups with one or two levels and with appropriate backdrop suspension. Weighing only 15 kg or 33 lb, it is also very useful for outdoor photography. It includes the following pieces:

9	CONRO AS	FOBA COMBITUBE 80 cm in aluminum, black
4	COKRO AS	FOBA COMBITUBE 40 cm in aluminum, black
4	COARO AS	FOBA COMBITUBE 20 cm in aluminum, black
6	COGEA	Adjustable universal clamp
2	CODEA	Right-angle connector clamp
2	CODIO	Cross-connector clamp
1	COGAE	Universal table clamp
1	COFLU	Flexible mounting arm, 40 cm
1	COKLE	FOBA COMBITUBE clip, tapped 3/8"
1	COKLI	Universal joint with clamp
1	COKLO 5	Set of 5 FOBA COMBITUBE clamps
4	COGUO	Rubber foot

FOBA COMBITUBE® System Kit MAXI (CAMAX)

The FOBA COMBITUBE® System Kit MAXI is as much a complete basic outfit for a large studio as it is a very practical supplement for existing FOBA studio systems. Specialized accessories can be used for assembling complex set-ups. Even though it is the largest of the three kits, its components are ingeniously stored in a compact case that weighs only 21 kg or 46 lb. It includes the following pieces:

16	CONRO AS	FOBA COMBITUBE 80 cm in aluminum, black
6	COKRO AS	FOBA COMBITUBE 40 cm in aluminum, black
4	COARO AS	FOBA COMBITUBE 20 cm in aluminum, black
8	COGEA	Adjustable universal clamp
6	CODEA	Right-angle connector clamp
2	CODIO	Cross-connector clamp
2	COGAE	Universal table clamp
2	COFLO	Flexible mounting arm, 20 cm
2	COKLE	FOBA COMBITUBE clamp, tapped 3/8"
1	COKLO 5	Set of 5 FOBA COMBITUBE clamps
1	CEKLU	Swivelling clamp for FOBA COMBITUBE
2	COSNO AS	Tripod in aluminum, black
4	COGUO	Rubber foot

FOBA COMBITUBE® System components:

COKTO AS FOBA COMBITUBE 160 cm long, aluminum, non-reflecting matt black surface. Extendable at both ends to any length by FOBA COMBITUBE screw cone connection. (560 g)

CONRO AS FOBA COMBITUBE 80 cm long, aluminum, non-reflecting matt black surface. Extendable at both ends to any length by FOBA COMBITUBE screw cone connection. (370 g)

COKRO AS FOBA COMBITUBE 40 cm long, aluminum, non-reflecting matt black surface. Extendable at both ends to any length by FOBA COMBITUBE screw cone connection. (275 g)

COARO AS FOBA COMBITUBE 20 cm long, aluminum, non-reflecting matt black surface. Extendable at both ends to any length by FOBA COMBITUBE screw cone connection. (230 g)

COTTO AS Double threaded coupling for connecting FOBA COMBITUBE in opposite directions. (200 g)

CODIO Offset cross-connector clamp for FOBA COMBITUBE. (195 g)

CODEA Right-angle connector clamp for attaching another FOBA COMBITUBE at a higher or lower level. (255g)

COTRI Hinged connector clamp, for mounting a second FOBA COMBITUBE at right-angles in the same plane. Sleeve opens for trouble-free installation on existing structures. (280 g)

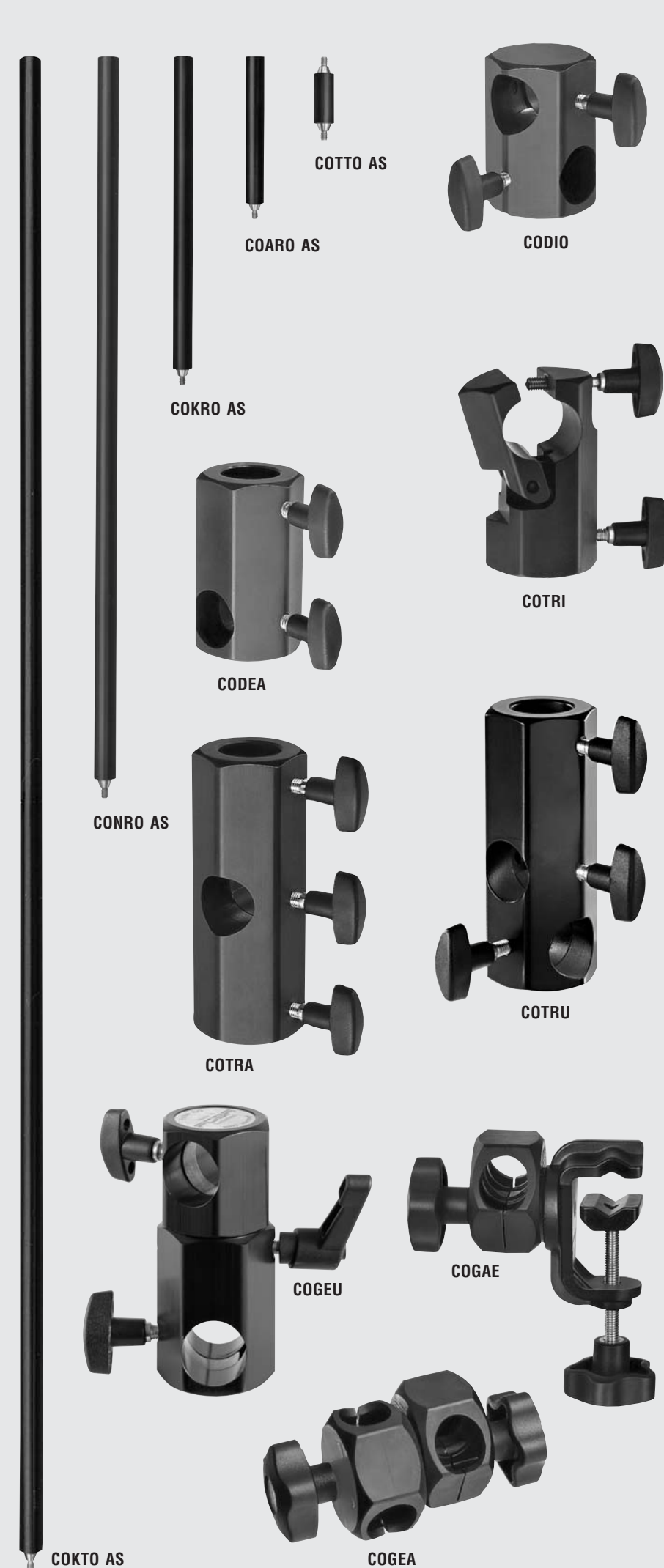
COTRA T-connector clamp for joining two FOBA COMBITUBE. (410 g)

COTRU Triangle connector clamp for joining three FOBA COMBITUBE. (410 g)

COGEA 360° adjustable universal clamp for FOBA COMBITUBE. Toothed for clamping in 52 different positions. 2 star grips: marked with red dot for main clamp and black dot for fixing angle. (270 g)

COGAE Universal table clamp for fixing a FOBA COMBITUBE at any angle on a suitable sur-face or on a tube up to 45 mm dia. (375 g)

COGEU 360° step less adjustable clamp (350 g)



Proven in tough use by the world's best professionals, FOBA COMBITUBE® System is an extremely versatile tool for you.

The FOBA COMBITUBE® System was introduced in 1959 and has since proven itself enormously successful in practical use by thousands of photographers around the world. The infinite variety of configurations that can be assembled with the FOBA COMBITUBE® System make it the most useful accessory kit for the professional studio.

Designed for durability

It provides a quick way to set up a second level for a product shot, to support a fill reflector, or to suspend parts of a subject. The FOBA COMBITUBE® System is truly amazing because of its clear logic, its simplicity and its complete ease of setup without any tools or accessories. The more you examine the exceedingly well thought-out components, the more obviously versatile and indispensable the FOBA COMBITUBE® System becomes for daily studio work.

1001 Possibilities of application

The basic ingredient is a black non-reflective aluminum tube, 25 mm (approx. 1 inch) in diameter, available in 20, 40, 80 and 160 cm (8", 16", 32", 64") lengths. Each FOBA COMBITUBE® System is equipped with tapered, threaded steel couplers at both ends, ensuring absolutely solid connections and maximum rigidity that allow any desired length to be assembled. Just six basic components permit an infinite number of combinations at any angle, on a single plane or on multiple planes.

The FOBA COMBITUBE® System, simple practical.



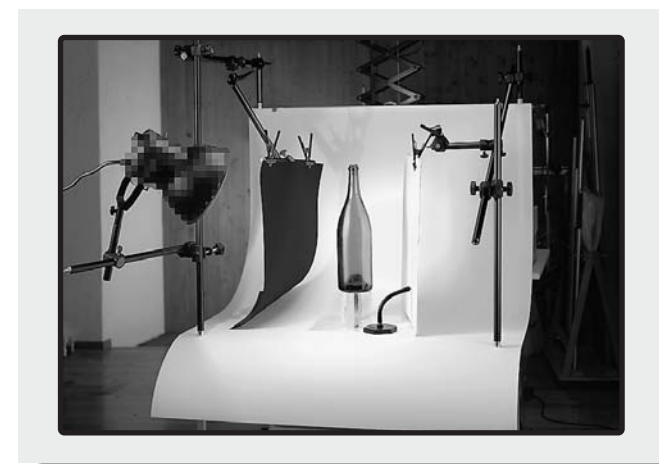
The three kits are supplied in sturdy cases with firm compartments for convenient and safe transportation.



Mirror, clamps, flexible arm – easy mounted to the FOBA background table.



The FOBA COMBITUBE – the system also for larger outfits.



For backgrounds or for table clamps – with the FOBA COMBITUBE® System you discover any applications.

COKLI Universal joint with clamp for holding cardboard, styrofoam or reflectors in any position on FOBA COMBITUBE. (410 g)

COKLE FOBA COMBITUBE clamp, tapped 3/8" for attaching to FOBA COMBITUBE connection or flexible mounting arms (COFLO and COFLU). (85 g)

COKLO FOBA COMBITUBE clamp for holding cardboard, paper, textile, etc. With hanging hook. (80 g)

COKLO 5 Set of 5 FOBA COMBITUBE clamps. Packed in handy plastic storage basket. (480 g)

COKLO 10 Set of 10 FOBA COMBITUBE clamps. Packed in handy plastic storage basket. (850 g)

COBRA Plastic basket, empty. For optimal storage of system components and small parts. (60 g)

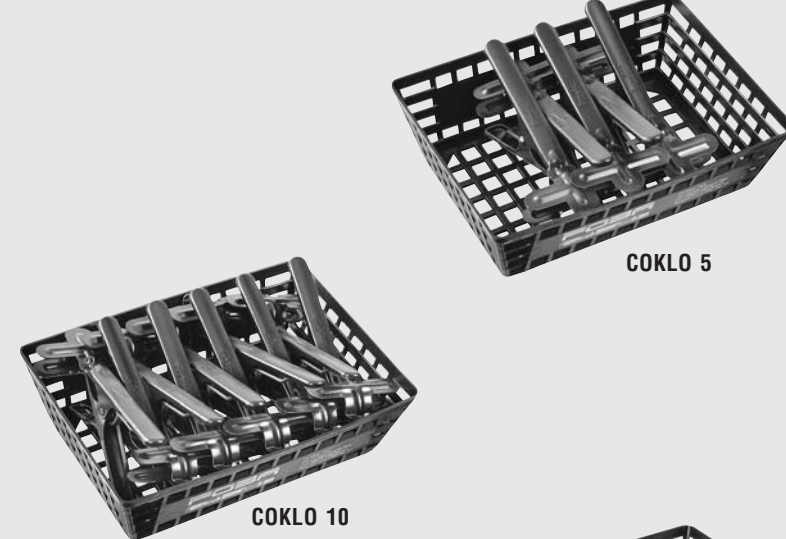
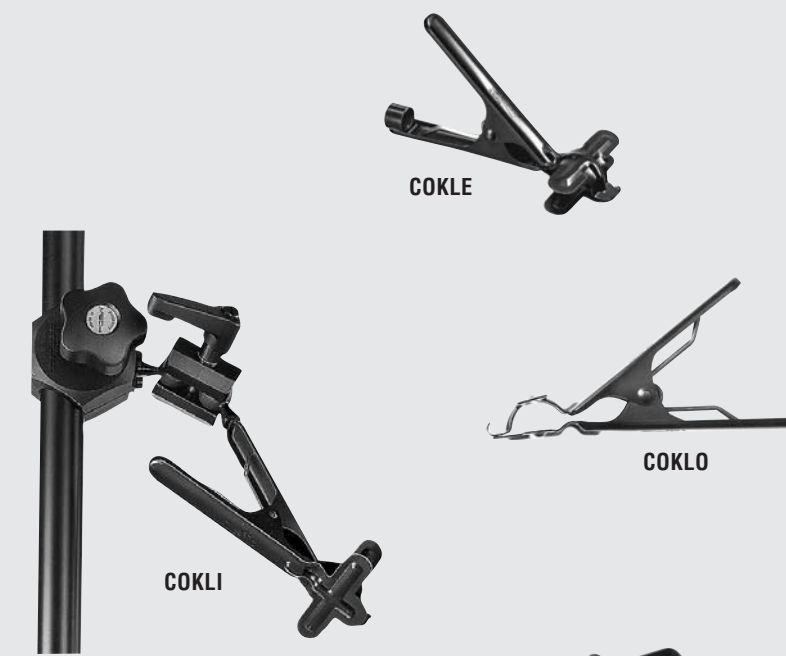
CEHUA Adapter sleeve, tapped 3/8" for mounting on spotlight stands. Holds insert adapters (CEBLO, CEPRO, COLBE and CORPO) for quick changing of lamps, etc. (95 g)

CEHUO Adapter sleeve with FOBA COMBITUBE mounting. Holds insert adapters (CEBLO, CEPRO, COLBE and CORPO) for quick changing of lamps, etc. (125 g)

COLBE Universal insert adapter with wingnut, tapped 3/8". (100 g)

CEBLO Insert adapter with 3/8" (Diam. 18 mm) thread for spotlight mounting. Fits inside CEHUA, CEHUO or CEONO adapter sleeves. Bored for tightening with bar or screwdriver. (55 g)

CORPO Insert adapter with forkpiece, for fixing FOBA background clamping device. Fits CEHUA, CEHUO or CEONO. (130 g)



COFLA plate with velcro.
Comprising:
1 Plate
10 self-adhesive velcro fixing pads
Weight: 43 g

COMON lampstand for low positions. The lampstand is combined from elements of the FOBA COMBITUBE® System. Position close to the floor up to 1.6 m can be reached, by sliding up and down.
Comprising:
2 CONRO AS FOBA COMBITUBE 80 cm
1 CESRA Baseplate
1 CEONO sliding clamp bracket
1 CEBLI Adapter 5/8" – 18 mm
Height: 1.6 m
Weight: 11 kg

COMEN Holder-kit with velcro. To simplify your table-top shoots. The flexible mounting arm is equipped with velcro. Including a set of 10 self-adhesive velcro fixing pads.
Comprising:
1 CEBRO table plate
1 COFLO flexible arm 20 cm
1 COFLA plate with velcro
Weight: 1350 g



FOBA®
STUDIO-TECHNOLOGY

