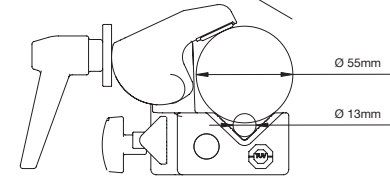
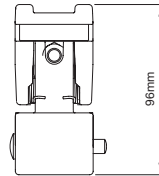
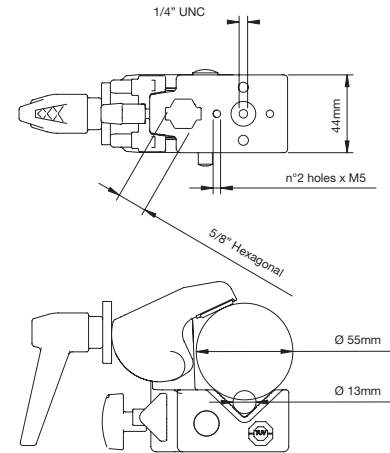


Quite simply the most versatile single piece of light grip gear ever.
 You name it and Super Clamp grips it, you imagine where you want it and Super Clamp holds it there.

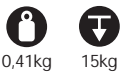
Friction-lined screw-operated jaws grip everything from 13mm to 55mm.

Hexagonal socket with unique secondary safety lock system holds items in place even if the screw lock comes undone.

Supplied with a wedge to square off the jaws for mounting to flat surfaces.
 This masterpiece of practicality and solidity is the most widely copied clamp in the world!



SUPER CLAMP 035



Ideal clamp for photographic application.
 Ergonomic lever to securely lock clamping position.



STAINLESS SUPER CLAMP 035X Not illustrated

Identical to the 035 with a weather resistant solution, provided with a stainless steel threaded shaft locking screw.



QUICK ACTION SUPER CLAMP 635



The rapid action locking jaw has also been applied to the most well known clamp in the world, the original Super Clamp.
 These modifications allow us to keep its extreme versatility adding unrivaled speed in locking and unlocking.
 Supplied with wedge to allow the clamp to fit on flat surface.



DOUBLE SUPER CLAMP 038



Set of two Super Clamps fastened together at fixed right angle to provide extra strength support for tubes or bars.



POLE FOR BACKLITE STAND 122B

0,32kg Top Type 18 Bottom type 19

Extendable arm with double male spigot.
Min. height 48cm, max. height 80cm.



MINI ARTICULATED ARM 196A

0,35kg Type 17 Type 17 1kg

Swivelling arm; each section is separately locked.
Length: 60cm.



MINI ARTICULATED ARM WITH CAMERA BRACKET 196 Not illustrated

Same as 196A with Camera/Umbrella Bracket 143BKT.

MAGIC ARM 143N

1,07kg Type 17 Type 17 3kg

Articulated arm with centre lever to lock all 3 movements.
Length: 53cm.



VARIABLE FRICTION ARM 244N

1,09kg Type 17 Type 17 3kg

Features as 143N, but a large locking knob takes the place of the cam-lever.
Variable friction and locking of arm obtained by adjusting knob.



MAGIC ARM WITH CAMERA BRACKET 143A Not illustrated

Same as 143N with Camera/Umbrella Bracket 143BKT.

VARIABLE FRICTION ARM WITH CAMERA BRACKET 244 Not illustrated

Same as 244N with Camera/Umbrella Bracket 143BKT only.

FLEX ARM 237

0,3kg Type 18 16mm 0,3kg

Flexible arm, Ø 12mm, 55cm long with hexagon stud to fit Super Clamp 035 with 3/8" female thread and 16mm stud with 1/4" male thread type 18.



FLEX ARM HEAVY DUTY 237HD

0,3kg Type 18 16mm 0,5kg

Same as 237, but Ø 18mm.



TILT-TOP HEAD 155

0,5kg 16mm 16mm + Camera Bracket Art. 143BKT

Twin swivelling 16mm spigots and single lever lock.
Supplied with: Camera/Umbrella Bracket 143BKT.
Height: 14.5cm.



TILT-TOP HEAD 155BKL

0,4kg 16mm 16mm

Tilt-top head alone, available separately without Camera/Umbrella Bracket.



NARROW "U" HOOKS 040



0,44kg

Set of two narrow "U" cross bar holders.
Plugs into Super Clamp 035.
Width: 15mm.



MINI "U" HOOKS 176



0,1kg

Set of two Mini "U" Hooks.



"U" HOOKS 039



0,16kg

Set of two cross bar holders.
Width: 40mm



MINI B/P SINGLE HOOKS 177



0,125kg

Set of two Mini "B/P" Single Hooks.



B/P SINGLE HOOKS 059



0,42kg

Set of two wall fixing background paper holders for one Expan 046.
Plugs into Super Clamp 035 socket.



MINI "L" BRACKETS 204



0,13kg

Set of two small brackets.
Sizes: 12 x 3 x 3cm.



"L" BRACKETS 041



0,29kg

Set of two brackets to use in combination with Super Clamp 035 to support shelves, etc. 17cm long x 4cm deep.



MINI EXTENSION ARM 203



0,15kg Type 1 + Spigot Art.013

Same as 042.
Length: 12cm.



EXTENSION ARM 042



0,21kg



8kg



Type 1 + Spigot Art.013

Plugs into Super Clamp 035 socket.
Length: 19,5cm.



ADDITIONAL SOCKET 335AS



0,14kg

Provides an additional 16mm socket to Super Clamp 035.



SUPER CLAMP WEDGES 035WDG



0,03kg

To allow the Super Clamp 035 to fit on plane surfaces.
Set of four.



**ADAPTER SPIGOT
013**

0,07kg

Universal 16mm spigot with double male thread 1/4" and 3/8".

**SHORT 16MM SPIGOT
WITH 1/4" + 3/8"
SCREW 118**

0,04kg

Universal short 16mm spigot with double male thread 1/4" and 3/8".

**ADAPTER SPIGOT
1/4" F + 3/8" F
THREADS 119**

0,032kg

Universal short 16mm spigot with double female thread 1/4" and 3/8".

**LIGHTING STUD 3/8"
036-38**

0,07kg

Plugs into Super Clamp 035 for lighting fixtures or connecting 2 Super Clamps 035 allowing them to rotate.
16mm stud with 3/8" male threads.

**LIGHTING STUD 1/4"
036-14**

0,07kg

Same as 036-38 with 1/4" male threads.

**LIGHT STUD 036I**

0,038kg

Special spigot for De Sisti & Ianiro lighting fixture.

**CAMERA STUD 037**

0,04kg

Plugs into Super Clamp 035 socket. To mount cameras, directly or with a camera head. 3/8" and 1/4" threads.

**JOINING STUD 061**

0,025kg

Connects 2 Super Clamp 035 with 6 step fixed rotation.

**JOINING STUD RA
061RA**

0,025kg

Connects 2 Super Clamps 035 at right angles or 45° steps.

**DOUBLE FEMALE
THREAD STUD 066**

0,025kg

Plugs into Super Clamp 035 to provide either a 3/8" or 1/4" female thread fixing.

**ROUNDED 16MM
LIGHTING STUD
M10 264**

0,072kg

Rounded stud for stirrup's fixture for a rapid connection to a Super Clamp.

**HEXAGONAL 16MM
LIGHTING STUD
M10 174**

0,062kg

Hexagonal Lighting stud for stirrup's fixture for a rapid connection to a Super Clamp.

**STUD FOR STIRRUP
066BT**

0,048kg

16 mm stud with female thread M10. It has been specifically designed to mount it on a stirrup's fixture and easily connect it to a Super Clamp. Designed to be tightly lock with a wrench.

**EXTENSION BAR
133 B**

0,1kg

Used to fix 2 Super Clamps 035 at a distance of 15cm from each other. Length 16,5cm.

**LIGHT STUD MR
036MR**

0,04kg

Plugs into Super Clamp 035 for lighting fixtures, Grip Heads or connect 2 Super Clamps 035 with 360° rotating capability.

