



Sometimes a stand simply can't fit on set during a shoot, so Manfrotto has developed several families of clamps to position lights and accessories practically anywhere. The original SUPERCLAMP - world famous and widely copied - stands out for its versatility and numerous accessories, but the entire range of clamps ensures there's always a solution to your problem, no matter the size of the object or the surface you're clamping to. Designed with many years of experience in the field, our clamps' quick-action locking buttons help the operators and make their life easier.

Contents	Page
Spring Clamps	46
Pipe Clamps and Quick Action Clamps	47
Super Clamps	48
Super Clamps Accessories	49



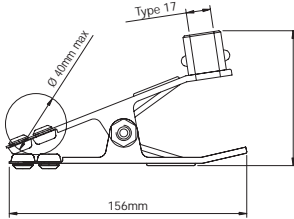
Wide choice of spring clamps and grips covers a huge range of applications.

Constructed of aluminium or sheet steel, the clamps have thousands of uses, from supporting lights to clamping backgrounds to crossbars.

SPRING CLAMP 175

0,32kg Type 1 Type 17

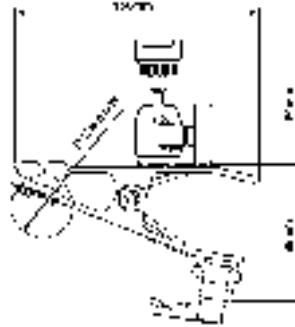
Clamps onto bars up to Ø 40mm.



SPRING CLAMP WITH FLASH SHOE 175F

0,33kg Type 1 Type 17 2kg

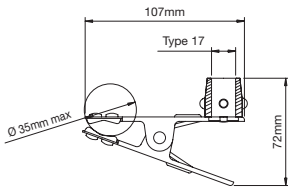
Clamps onto bars up to Ø 40mm. Supplied with a position able miniature ball head with a flash shoe attachment to allow it to clip and position a flash unit wherever it is needed.



MINI SPRING CLAMP 275

0,11kg Type 1 Type 17

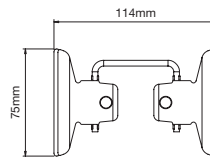
Clamps onto bars up to Ø 35mm. It can be mounted also on 16mm extension arms.



MULTICLIP 375

0,08kg

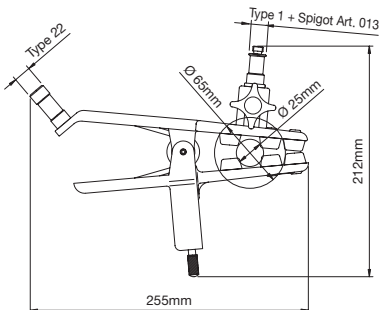
This versatile double clip can be used to hold gels in front of lights or small reflecting panels.



SKY HOOK 043

0,65kg Type 22 Type 1+ Spigot art. 013

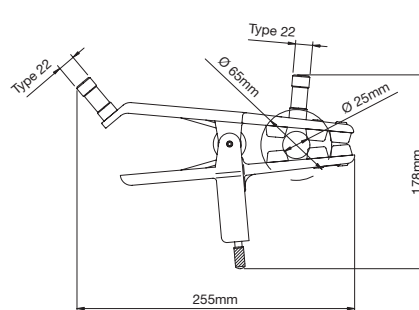
Gaffer grip with adjustable jaws. Grip from: 25mm to 65mm.



SKY HOOK 043R

0,8kg Type 22 Type 22

Gaffer grip with adjustable jaws. Grip from: 25mm to 65mm.



Manfrotto Pipe Clamps are made in aluminium alloy or rugged gravity cast aluminium for extra strength.

Clamping range encompasses pipes from 2mm to 78mm diameter.

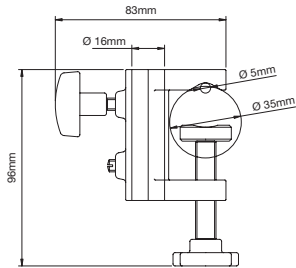
All standard luminaire attachments available, from 16/28mm bushing to 16mm pins and 1/4" - 3/8" - M10 and M12 male thread.

MINI CLAMP 171



0,16kg 16mm

Clamps on bars up to Ø 35mm.

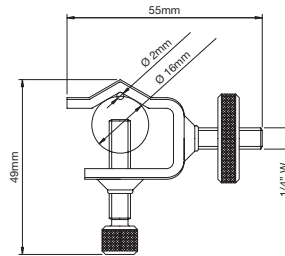


MICRO CLAMP 196AC



0,06kg

Grips items from 2mm to 16mm thick.

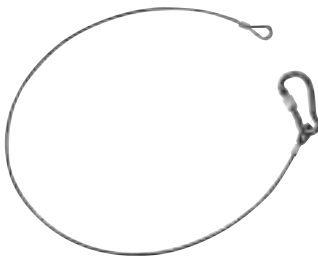
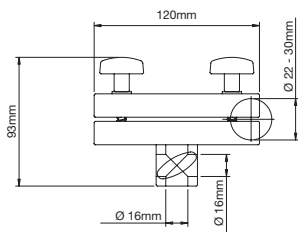


PANEL CLAMP 271



0,29kg 16mm

Clamps onto round and square tubes from Ø 22mm to 30mm. Ideal for supporting reflector panels or hanging objects from pipes.



SAFETY CABLE C155

Ø 4mm. Length 100cm. Max Load: 30 kg.

AVENGER

SAFETY CABLE C155-01 Not illustrated

Ø 3,5mm. Length 70cm. Max Load: 20 kg.

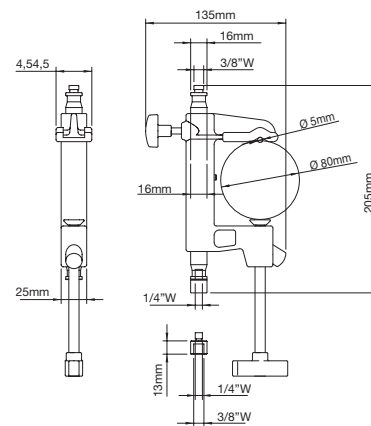
AVENGER

QUICK RELEASE CLAMP 649



0,57kg 16mm 7kg

Different from the other versions that are used mainly on round pipes, this version will also work on square and rectangular tubes. Extremely light, with a good "coupling range", this version also offers an incredible number of attachment sizes. Ideal for photographic applications and dedicated accessories. Pipe size 5-80mm. PATENTED



SAFETY CABLE C155-02 Not illustrated

Ø 5mm. Length 70cm. Max Load: 50 kg.

AVENGER

SAFETY CABLE C155-03 Not illustrated

Ø 6mm. Length 100cm. Max Load: 60 kg.

AVENGER