

The mechanical concept on which we based this new range of clamps allows an incredible speed in locking and unlocking the clamp's jaws.

Fastening the clamp to a pipe or any other support is quick and simple allowing you to position your lighting equipment securely.

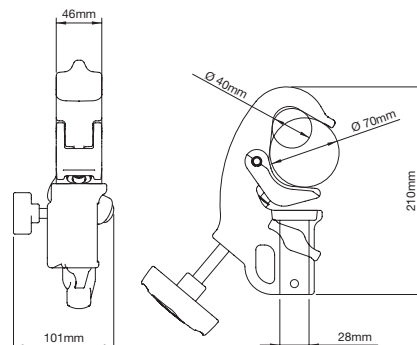
The Quick Action line of clamps consists of four models that differ in dimension, load capacity (from 7kg to 100kg) and coupling range (from 5mm to 80mm).

QUICK ACTION JUNIOR CLAMP 28MM BUSHING C337



1,27kg 100kg 28mm

Made in gravity cast aluminium, this clamp is ideal to hang all types of luminaires in TV studios and theaters. Its incredible "coupling range" sets almost no limitations to its capability to clamp to almost all the industry standard pipe diameters. To meet all safety requirements, we have designed a dedicated slot for flexible steel safety cables. Supplied with T-top padded handle to improve grip. Pipe size 40-70mm. PAT. PENDING.



AVENGER

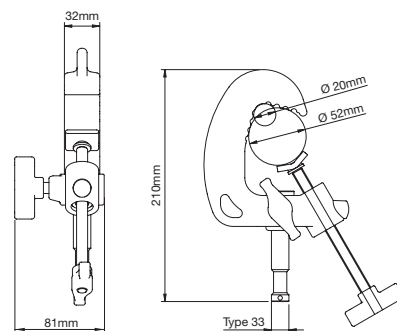


QUICK ACTION BABY CLAMP 16MM PIN C338



0,76kg 50kg Type 33

Very slim and lightweight, this version has been designed for small luminaires, virtually unlimited in application. To meet all safety requirements, we have designed a dedicated slot for flexible steel safety cables. Pipe size 20-52mm. PAT. PENDING.






AVENGER



EYE COUPLER family: safer, easier to use and lighter, with the reliability and high performance that you expect from Manfrotto. The new high-performance EYE COUPLER range has been developed with professional users' needs in mind. Improved safety, full TUV certification, optimised ergonomics and unique design are the key features of new EYE COUPLERS, developed for professionals in entertainment and film industries.

The complete EYE COUPLER range is made up of
 LP EYE COUPLERS: industry standard clamp range from 48 to 52 mm
 MP EYE COUPLERS: wider clamp range from 42 to 52 mm and special flattened shape of lower jaw
 MP SLIM EYE COUPLERS: same features as MP coupler, but narrower in profile and lighter in weight


LP EYE COUPLER C460

-  0,36kg
-  500kg
-  13mm hole

The base model of LP eye coupler for any customised application.



LP EYE COUPLER WITH 28MM SPIGOT C461

-  0,57kg
-  500kg
-  Type 35

Supplied with 28mm spigot for TV/broadcast luminaires



LP EYE COUPLER WITH 16MM SPIGOT C462

-  0,41kg
-  500kg
-  Type 33

Designed with 16mm spigot suitable for lightweight luminaires.




LP EYE COUPLER WITH LIFTING RING C463

-  0,55kg
-  300kg
-  Ring

Provided with lifting ring for multipurpose use with chains, wires and ropes.



LP EYE COUPLER WITH M12 BOLT PLUS NUT C464

-  0,40kg
-  500kg
-  M12x27

Supplied with M12 bolt and nut for custom solutions



LP EYE COUPLER W/28MM BUSHING C465

-  0,84kg
-  300kg
-  28mm

Designed with 28mm bushing suitable for 2K+stirrup luminaires.



LP PARALLEL EYE COUPLER C480

-  0,76kg
-  300kg

Twin couplers fixed parallel for firm, quick and easy interconnection for truss, bars or pipes.



LP 90° FIXED EYE COUPLER C481

-  0,76kg
-  300kg

Twin couplers fixed at 90° for firm, quick and easy interconnection for truss, bars or pipes.



LP SWIVEL EYE COUPLER C482

0,76kg 300kg

Twin couplers free to rotate 360° for firm, quick and easy interconnection for truss, bars or pipes.



CONNECTION KIT FOR LP EYE COUPLER C466

Kit to connect two C460 clamps.



MP EYE COUPLER C4460

0,39kg 500kg 13mm hole

The base model of MP eye coupler for any customised application.



MP EYE COUPLER WITH 28MM SPIGOT C4461

0,60kg 500kg Type 35

Supplied with 28mm spigot for TV/broadcast luminaires.



MP EYE COUPLER WITH 16MM TV SPIGOT C4462

0,44kg 500kg Type 33

Designed with 16mm spigot suitable for lightweight luminaires.



MP EYE COUPLER WITH LIFTING RING C4463

0,58kg 300kg Ring

Provided with lifting ring for multipurpose use with chains, wires and ropes.



MP EYE COUPLER WITH M12 BOLT PLUS NUT C4464

0,43kg 500kg M12x27

Supplied with M12 bolt and nut for custom solutions.



MP EYE COUPLER W/28MM BUSHING C4465

0,87kg 300kg 28mm

Designed with 28mm bushing suitable for 2K+ stirrup luminaires.



MP EYE COUPLER WITH 16MM BUSHING C4469

-  0,52kg
-  500kg
-  16mm

Supplied with 16mm spigot for light fixing accessories.

AVENGER



MP TILT & SWIVEL EYE COUPLER C4470

-  1,3kg
-  300kg
-  Type 35

Provided with 28mm spigot to enable to rig a bar or a frame structure between two stands with 360° spigot rotation and swivel system.

AVENGER



MP SWIVEL EYE COUPLER C4482

-  0,81kg

Twin couplers free to rotate 360° for firm, quick and easy coupling of trusses, bars or pipes.

AVENGER



MP EYE COUPLER SWIVEL AND TILT TRUSS SUPPORT 150-250 C4485

-  2,78kg
-  Type 35

Min. Length - 150mm. Max. Length - 250mm. Truss Support Coupler with a tilt/swivel connection to the stand pin. It avoids torsion and mounting problems when lifting a truss using two stands simultaneously.

AVENGER



MP EYE COUPLER SWIVEL AND TILT TRUSS SUPPORT 200-400 C4486

Not illustrated

-  2,85kg
-  Type 35

Min. Length - 200mm. Max. Length - 400mm.

AVENGER

MP SLIM EYE COUPLER C4560

-  0,26kg
-  300kg
-  13mm hole

The base model of MP slimlight version eye coupler.

AVENGER



MP EYE COUPLER 12MM BOLT + NUT C4564

-  0,3kg
-  300kg
-  M12x27mm

Supplied with M12 bolt and nut for custom solutions.

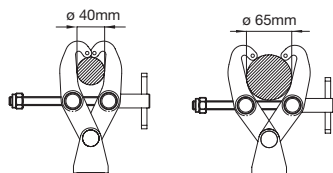
AVENGER



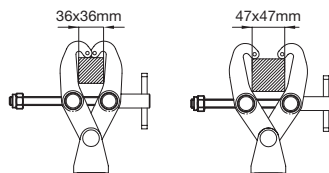
The Grab Clamp is flexible and fast to use thanks to its pincer jaw design and rapid locking and release mechanism.

It can be fixed to a wider range of supports than traditional clamps and is suitable for use in TV, video and photographic studios, theatres and rigging structures. The grab clamp will hold all kinds of lights, scenery, monitors and much more besides.

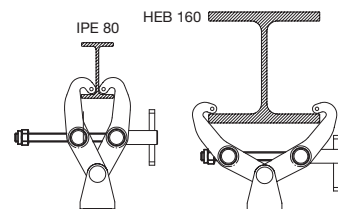
The grab clamp has been designed to be mounted on a wide range of beams, pipes and bars, whether round, square or rectangular in section. It needs no adapter - just open and clamp it.



Clamp Range: 40mm to 65mm



Clamp Range: 36mm to 47mm



Clamp Range: IPE 80 to IPE 160
HEB 80 to HEB 160

GRAB CLAMP C339

- 1,2kg
- 150kg
- 12,5mm Hole

Supplied without attachment, but with a 12.5mm hole for custom fixings.

AVENGER



GRAB CLAMP WITH 28MM TV SPIGOT C339JS

- 1,4kg
- 150kg
- Type 35

Supplied with 28mm spigot.

AVENGER



GRAB CLAMP WITH 16MM BUSHING C339BB

- 1,35kg
- 50kg
- 16mm

Comes with 16mm bushing complete with push button for extra-safe attachment.

AVENGER



GRAB CLAMP WITH LIFTING EYE C339LE

- 1,4kg
- 150kg
- Ring

Complete with standard lifting eye for chain or rope fixture.

AVENGER



GRAB CLAMP WITH UNIVERSAL HEAD C339UH

- 1,95kg
- 75kg
- 28mm
- 16mm

Provided with a universal fixed (non-rotating) head.

AVENGER



GRAB CLAMP WITH SPINNING PULLEY C339SP

- 1,65kg
- 150kg
- Pulley

Fitted with a 100mm diameter pulley to offer a quick and robust hanging point for TV and theatre sceneries.

AVENGER

