



Our family of Avenger clamps stands out for supporting heavy loads and for clamping any kind of prop, be it a square or round section pipe (up to 78mm diameter), or IPE bar (up to IPE160). For that reason, the various models are made of aluminum castings or by extruded aluminum, so that they can ensure high mechanical performance, well suited for the required use. Avenger clamps also feature neat clamping solutions, in order to provide easy operation and quick locking. Our range of clamps is backed up by a wide choice of accessories.

Contents	Page
Telescopic Hanger Clamps	168
Pipe Clamps	169
Hook Clamp & Stage Clamps	172
Quick Action Clamps	173
LP Eye Couplers	174
MP Eye Couplers	175
MP Slim Eye Couplers	176
Grab Clamps	177



A convenient method of suspending luminaires from above for unobstructed floor areas.

Avenger telescopic hangers are renowned for their strength and versatility.

Available with either a stirrup or universal head, all hangers come with a safety pin to prevent the riser from slipping.

TELESCOPIC HANGER WITH UNIVERSAL HEAD C825



121cm 201cm 5,1kg Type 34

Max Load with 16mm spigot 10kg.
Max Load with 28mm socket 40kg.

AVENGER



TELESCOPIC HANGER WITH STIRRUP C820



117cm 197cm 5,4kg 40kg

Luminaire attachment - Stirrup Ø 40mm.

AVENGER



LONG TELESCOPIC HANGER WITH UNIVERSAL HEAD C827

Not illustrated



212cm 381cm 6,8kg Type 34

Max Load with 16mm spigot 10kg.
Max Load with 28mm socket 40kg.

AVENGER



Safety Pin

LONG TELESCOPIC HANGER WITH STIRRUP C822

Not illustrated



210cm 379cm 6,8kg 40kg

Luminaire attachment - Stirrup Ø 40mm.

AVENGER



Safety Pin

TELESCOPIC HANGER WITH UNIVERSAL HEAD C888UH



76cm 161cm 4,6kg Type 34

Max Load with 16mm spigot 10kg.
Max Load with 28mm socket 40kg.

AVENGER



TELESCOPIC HANGER WITH STIRRUP C888ST



73cm 157cm 4,7kg 40kg

Luminaire attachment - Stirrup Ø 40mm.

AVENGER



Manfrotto Pipe Clamps are made from in aluminium alloy or rugged gravity cast aluminium for extra strength.

Clamping range encompasses pipes from 28mm to 78mm diameter.

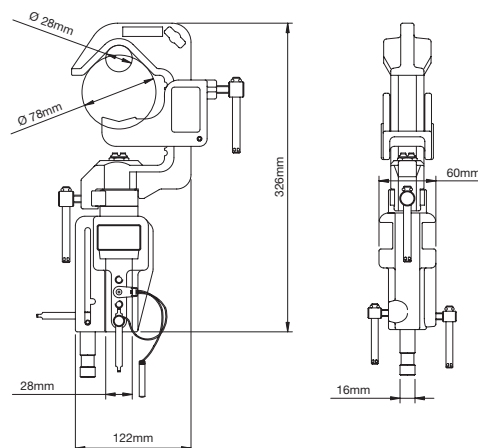
SWIVELLING "C" CLAMP C150



1,6kg 10/75kg* 28mm

Works on diameters from 28mm to 78mm.

* 10kg on 16mm attachment,
75kg on 28mm attachment.

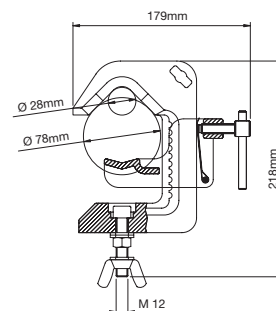


SWIVELLING "C" CLAMP WITH M12 SCREW C151



1,07kg 100kg M12

Works on diameters from 28mm to 78mm.

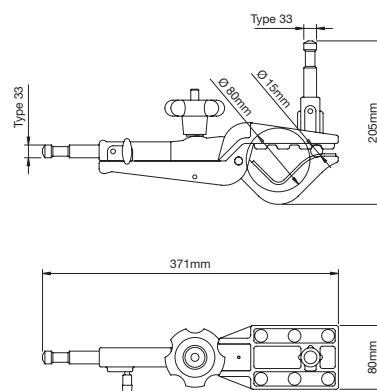


PELICAN GAFFER GRIP C500





1,4kg 10kg Type 2 Type 33

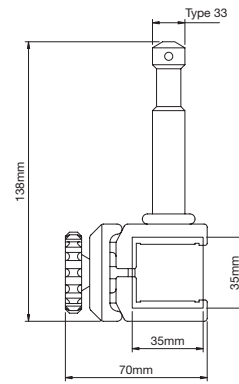
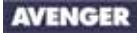
Works on diameters from 15mm to 80mm.





SQUARE CLAMP WITH 16MM PIN C720

 
0,24kg Type 33

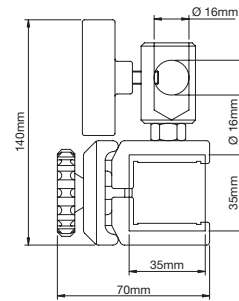
Fits square pipe 35mm x 35mm.



SQUARE CLAMP WITH 16MM RECEIVER C700

 
0,30kg Type 1

Fits square pipe 35mm x 35mm.

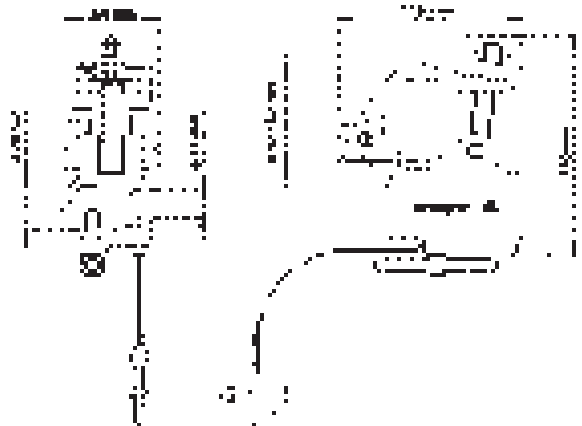


BARREL CLAMP C350N

  
0,8kg 100/300kg* 17mm/28mm

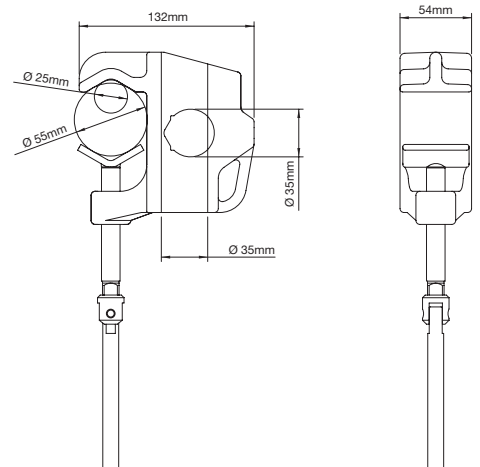
Works on diameters from 42mm to 52mm.

* 100kg on 16mm attachment.
300kg on 28mm attachment.



BARREL CLAMP WITH KNOB C350NK Not illustrated

Same as C350N but with knob.



GRID CLAMP C300

   
1,1kg 50/30kg* 35mm

Works on diameters from 25mm to 55mm.

* 50kg on vertical position.
30kg on horizontal position.



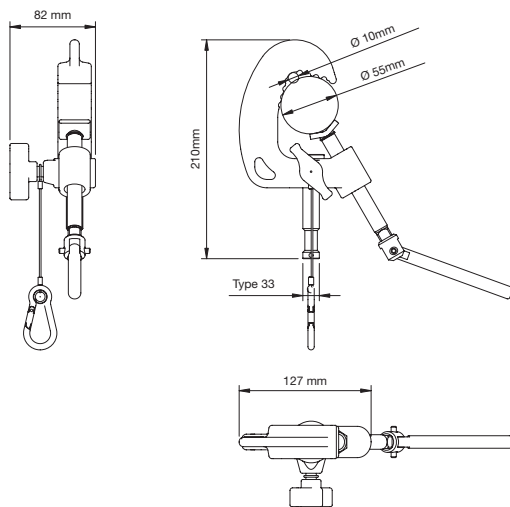
BABY PIPE CLAMP WITH 16MM STUD C210



0,62kg 100kg Type 33

Works on diameters from 10mm to 55mm.

AVENGER



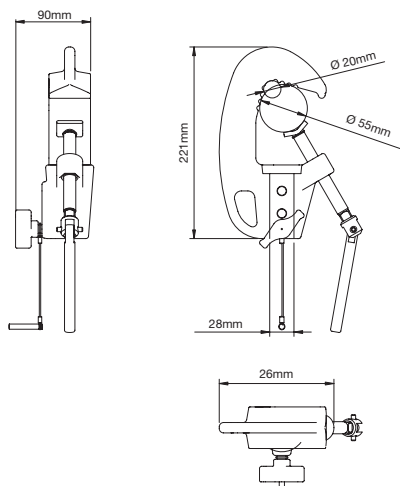
JUNIOR PIPE CLAMP WITH 28MM SOCKET C100



1,13kg 250kg 28mm

Works on diameters from 20mm to 55mm.

AVENGER



SUPER CLAMP C1575B



0,45kg 15kg

Ideal clamp for Cine, Broadcast or Lighting & Entertainment application. Clamping system achieved via a metal knob ensuring extra solidity. Works on diameters from 13mm to 55mm.

AVENGER



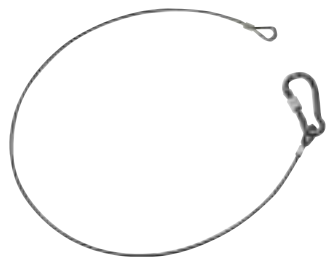
HEAVY DUTY SUPER CLAMP C1550



0,45kg 15kg

Extra strong version of Super Clamp because of a special manufacturing process named gravity casting, allowing heavier manipulation. Works on diameters from 13mm to 55mm.

AVENGER



SAFETY CABLE C155

Diameter 4mm. Length 100cm.

AVENGER

SAFETY CABLE C155-01 Not illustrated

Diameter 3,5mm. Length 70cm.

AVENGER

SAFETY CABLE C155-02 Not illustrated

Diameter 5mm. Length 70cm.

AVENGER

SAFETY CABLE C155-03 Not illustrated

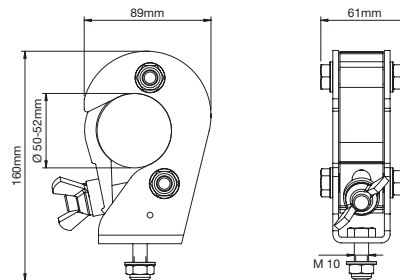
Diameter 6mm. Length 100cm.

AVENGER

SLIM HOOK CLAMP C356

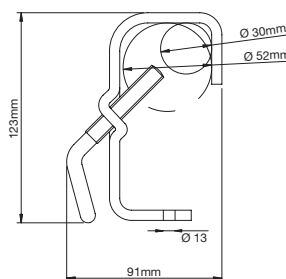
0,8kg 500kg M10x25

A strong, sturdy clamp combining an all steel hook with an aluminium locking jaw. Clamps perfectly on pipes from 50mm to 52mm.



Work on diameters from 30mm to 52mm.

The double locking knob position always provides an optimal grip point.



STAGE CLAMP C280

0,37kg 50kg 13mm hole

For multipurpose applications.



STAGE CLAMP WITH 16MM STUD C285

0,47kg 50kg Type 33

Supplied with 16mm stud.



STAGE CLAMP WITH 28MM STUD C290

0,9kg 50kg Type 33

Supplied with 28mm stud.



STAGE CLAMP WITH 28MM SOCKET C295

0,75kg 50kg 28mm

Supplied with 28mm stud.



The mechanical concept on which we based this new range of clamps allows an incredible speed in locking and unlocking the clamp's jaws.

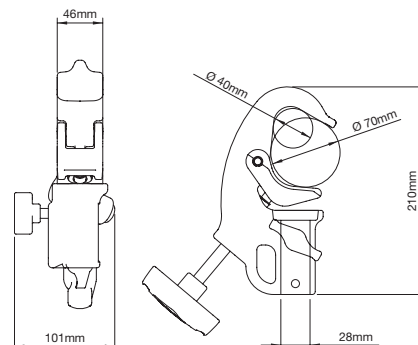
Fastening the clamp to a pipe or any other support is quick and simple allowing you to position your lighting equipment securely.

The Quick Action line of clamps consists of four models that differ in dimension, load capacity (from 7kg to 100kg) and coupling range (from 5mm to 80mm).

QUICK ACTION JUNIOR CLAMP 28MM BUSHING C337

 1,27kg
  100kg
  28mm

Made in gravity cast aluminium, this clamp is ideal to hang all types of luminaires in TV studios and theaters. Its incredible "coupling range" sets almost no limitations to its capability to clamp to almost all the industry standard pipe diameters. To meet all safety requirements, we have designed a dedicated slot for flexible steel safety cables. Supplied with T-top padded handle to improve grip. Pipe size 40-70mm. PAT. PENDING.



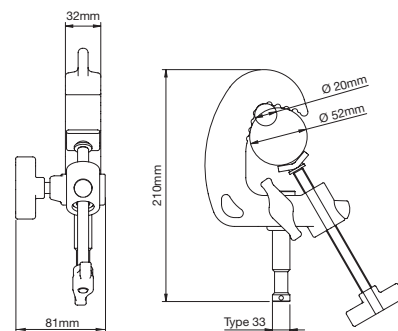
AVENGER



QUICK ACTION BABY CLAMP 16MM PIN C338

 0,76kg
  50kg
  Type 33

Very slim and lightweight, this version has been designed for small luminaires, virtually unlimited in application. To meet all safety requirements, we have designed a dedicated slot for flexible steel safety cables. Pipe size 20-52mm. PAT. PENDING.



AVENGER

